



Delvcam DELV-DSLR-7L User Guide



IMPORTANT SAFETY INSTRUCTIONS:

- ◆ Please read manual before using this product.
- ◆ Please keep manual for future reference.
- ◆ Please read the cautions to prevent possible danger and loss of property
- ◆ Please enjoy the benefits of convenience, safety, and space-saving from this TFT LCD monitor in different ways.

CAUTIONS:

1. Please do not place the display screen toward the ground.
2. Please avoid heavy impact or drop onto the ground.
3. It should avoid the humidity and extreme temperature
4. Do not place with your equipment or accessory and other inflammable liquid, the gas or other explosive articles place together, to avoid happening dangerous.
5. The LCD screen is very easy to shave a wound, avoid crashing please. Be sure not to use other sharp article to bump against touch screen.
6. Please do NOT use chemical solutions to clean this product. Please wipe with a clean soft cloth to maintain the brightness of the surface.
7. Please do not block any vent hole.
8. Please follow the instructions and trouble-shootings to adjust the product. Other improper adjustment may result in damage. Any further adjustment must be performed or conducted by a qualified technician.
9. Please unplug the power or remove the battery if long-term no-use, or thunder weather.

Table of Contents

PRODUCT DESCRIPTION -----

INSTALLATION OF SUNSHADE COVER

AND BATTERY PLATE-----

MENU SETTING -----

ACCESSORIES -----

PARAMETER -----

TROUBLESHOOTING -----

PRODUCT DESCRIPTION

Positive:



1. Speaker
2. Power indicator light: Light turns red when powered.
3. ◀ Left selection key, to select items on OSD menu and value option adjustment; Press to adjust the brightness, sharpness, contrast, saturation, volume and Tint value decrease (Tint adjustment is only available under VIDEO and NTSC mode) .
4. ▶ Right selection key, to select items on OSD menu, value option adjustment and confirmation; Press to adjust the brightness, sharpness, contrast, saturation, volume and Tint value increase (Tint adjustment is only available under VIDEO and NTSC mode) .
5. **MENU**: To activate OSD (on-screen display) menu. Select switch the brightness, sharpness, contrast, saturation, volume, Tint, MENU and Exit.
6. ▲/5D- II Up selection key, Used to select menu options; Click to switch ON/OFF 5D- II mode.
7. ▼/→○○○ Down selection key, Used to select menu options; Click to switch ON/OFF pixel-to-pixel mode.
8. F1-F4: 4 user-definable buttons:
Default function:
F1: Screen Marker **F2: Aspect Ratio**
F3: Check Field **F4: Underscan** (The feature is available
when the pixel-to-pixel mode is off.)
9. Earphone jack.

Back:

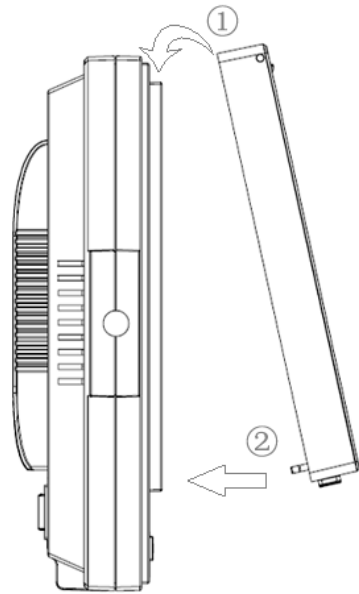


10. Mini USB input. (Only for program upgrades, do NOT use if non-professionals)
11. Battery plate slot.
12. HDMI (High Definition Multimedia Interface) signal input.
13. HDMI (High Definition Multimedia Interface) signal loop output. (optional)
14. DC 12V power input.
15. Battery power on/off switch: “ || ” is battery power; “O” is power off; “|” is DC power.

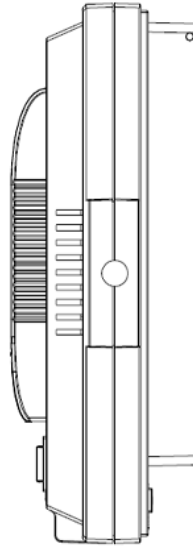
INSTALLATION OF SUNSHADE COVER AND BATTERY PLATE

Installation of sunshade cover:

Installation steps

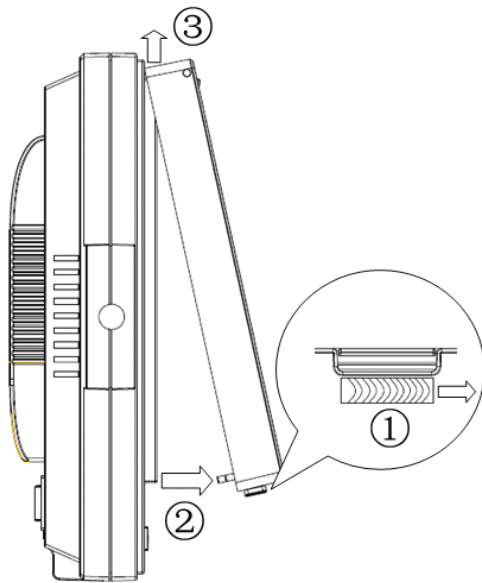


Installation completed

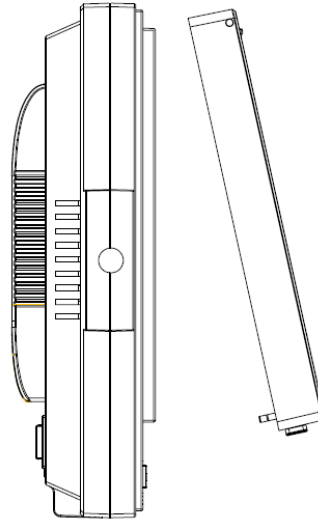


Disassembly of sunshade cover:

Disassembly steps:



Disassembly completed:



Steps of sunshade cover on / off:

* Please follow the instructions steps, or may damage the cover.

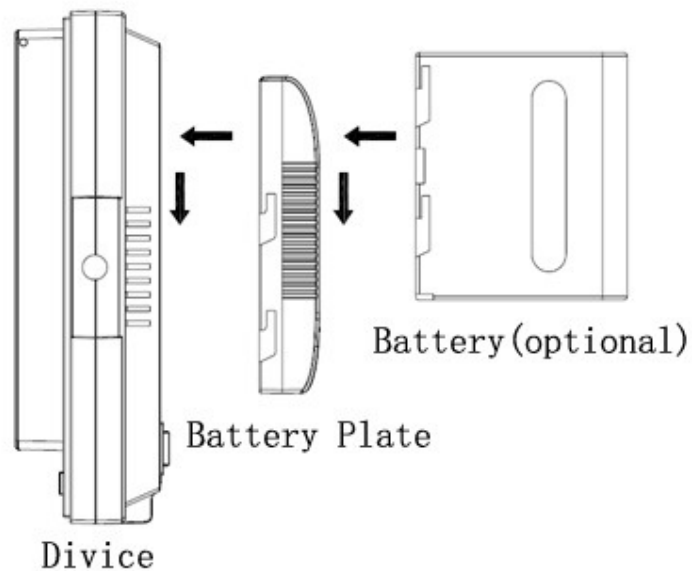
Open Step:

Closed steps:

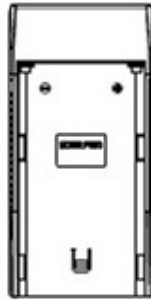


* Do not press the edge in the under of the cover, otherwise it will result in open failure.

Installation of Battery and Battery Mount Plate



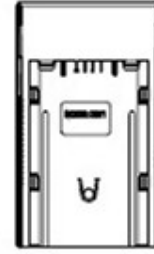
The included three types of battery plate are suitable for this device, Standard accessories model: F970.



MODEL-F-970



MODEL-QM91D



MODEL-DU21

DV Battery Mount Plate Specification:

Model DU21 for battery of Panasonic DV:

NV-GS/PV-GS/DZ-MV/GS/H28/H258/H288GK series, comply with Panasonic battery DU06/VBD140/SANYO DZhs301sw/Hitachi DZ-HS303SW/BZ-BP14S/DZ3200/BP07W.

Model QM91D for battery of SONY DV:

DSCR1/F/S/MVCCD/E/HC15E/HC1E/AE1u/DCRTRV828/E/CCD-TRV116/DCR-DVD/PS105K/300K/10P/1E series.

Model F970 for battery of SONY DV:

DCR-TRV series, DCR-TRV E series, VX2100E PD P series, GV-A700, GV-D800 FD/CCD-SC/TR3/FX1E/HVR-AIC, HDR-FX1000E, HVR-Z1C, HVR-V1C, FX7E F330.

MENU SETTING

***Before setting the functions, please make sure the device is connected correctly.**

1. Shortcut keys:


1-1. the image menu

When power on, press “◀/▶” key on the device, Will appear at the bottom of the screen display of the brightness, Then press the **MENU** button to select brightness, sharpness, contrast, saturation, volume, Tint, **MENU** and Exit. Required by the user according to personal to User can adjust the parameters of the selected menu with ◀ / ▶ button, according to their requirements.

1-2. Switch on / off 5D- II camera mode

Connect the HDMI input interface with Canon 5D- II camera, turn on the power, press the ▲ / 5D- II button to switch on / off 5D- II camera mode.

1-3. Pixel-to-Pixel

Turn on the power, press the ▼/→ button to switch on/off pixel-to-pixel function.

1-4. F1-F4 4 user-definable function buttons:

Functions of F1-F4 buttons can also be customized: Aspect Ratio, Check Field, Freeze Input, Center Marker, Underscan, H/V delay, Color Bar, Screen Marker and Zoom(Peaking, False color, Exposure and Histogram are for optional).

F1-F4: 4 user-definable function buttons.

Default function:

F1: Screen Marker

F2: Aspect Ratio

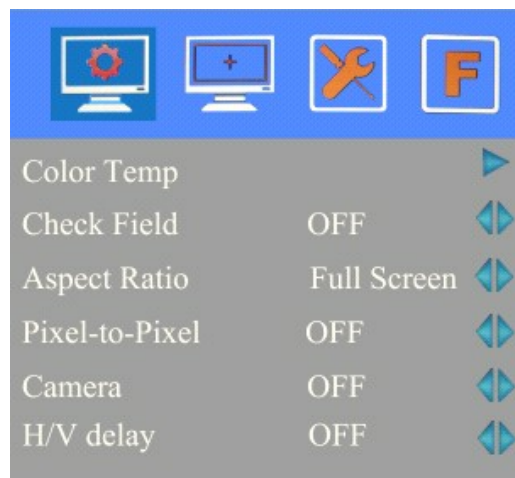
F3: Check Field

F4: Underscan (The feature is available when the pixel-to-pixel mode is off.)

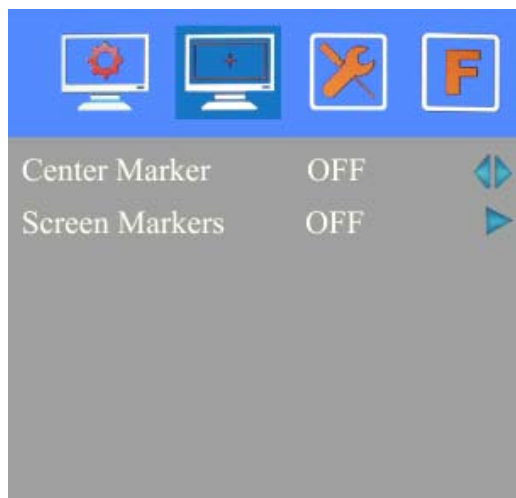
2. MENU Setting

When power on, press “MENU” on the device. The menu of function setting will display on the screen.

Press ◀/▶ buttons on the choose main menu the display. Then press ▲/▼key, Selection screen displayed on the sub-menu options; then ▶ to confirm the selection and adjustment of option value. After confirmation the main menu press the MENU key to return



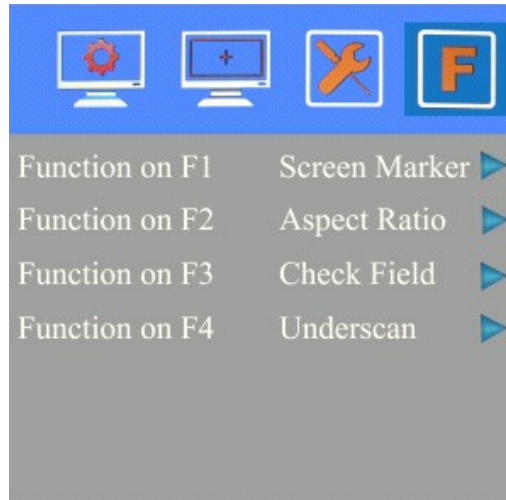
ITEMS	OPTIONS	
Color Temp	6500°K/7500 °K/9300 °K/User	
	Red	Note: Only can available under “User” mode to meet the color value you need.
	Green	
	Blue	
Check Field	OFF, MONO, Red, Green and Blue	
Aspect Ratio	Full Screen,4:3 and 16:9	
Pixel-to-Pixel	ON/OFF	
Camera	ON/OFF	
H/V delay	OFF,H&V Delay, V Delay and H Delay	
Underscan	ON/OFF	



ITEMS	OPTIONS
Center Marker	ON/OFF
Screen Markers	OFF, 95%,93%,90%,88%,85% and80%



ITEMS E	OPTIONS
Language	English /Chinese
Input Format OSD	5S、 10S、 15S
LOGO	ON/OFF
Freeze Input	ON/OFF
Image Flip	ON/OFF
Manufacturer Default	OK/Cancel
ISP	For program upgrades (such as accidentally press to reboot your computer)
Ver	LLP Ver 1.1



Functions of F1-F4 buttons can also be customized: Aspect Ratio, Check Field, Freeze Input, Center Marker, Underscan, H/V delay, Color Bar, Screen Marker and Zoom(Peaking, False color, Exposure and Histogram are for optional).

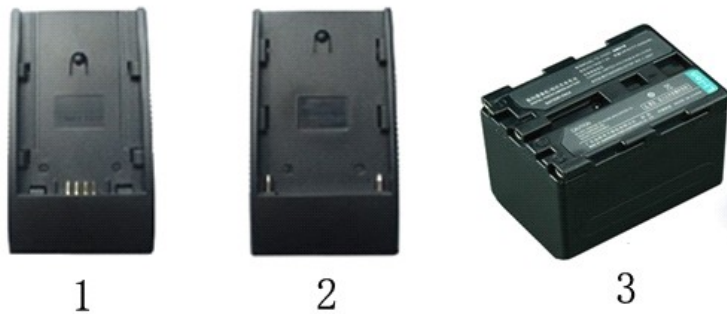
ACCESSORIES:

Standard accessories:



- | | |
|---------------------------------|---------|
| 1. Folding sun shade | 1 piece |
| 2. DC adapter | 1 piece |
| 3. HDMI Type A-C | 1 piece |
| 4. Manual | 1 piece |
| 5. Battery Plate: F-970 | 1 piece |
| 6. Shoe mount (for camera only) | 1 piece |

Optional accessories:



- | | |
|-------------------------|--------|
| 1. Battery Plate: DU21 | 1piece |
| 2. Battery Plate: QM91D | 1piece |
| 3. Li-ion battery | 1piece |

PARAMETERS:

Panel Size	7" TFT LCD
Resolution	1024×600, up to 1920×1080
Brightness	250cd/m ²
Contrast	800:1
Viewing Angle	160°/ 150°(H/V)
Input Voltage	DC 12V
Input Signal	HDMI
Output Signal	HDMI (optional)
DV Battery	F970/DU21/QM91D(optional)
Battery Plate	F970, DU21/QM91D(optional)
Current	800mA
Power Consumption	≤10W
Working Temperature	-20°C ~ 60°C
Storage Temperature	-30°C ~ 70°C
Size:(LWD)	196.5×145×31mm 196.5×145×41mm (with sun shade closed) 196.5×145×151.3mm (with sun shade open)
Weight	480g

TROUBLE SHOOTING

1. Only black-and-white display:
Check whether the color saturation is properly setup.
2. Power on but no pictures:
Check whether the cables of HDMI correctly connected. Please use the standard power adapter coming with the product package. Improper power input may cause the device.
3. Wrong or abnormal colors:
Check whether the cables are correctly and properly connected. Broken or loose pins of the cables may cause a bad connection.
4. According to the ISP, the machine cannot function properly
ISP for program upgrades, non-professionals do not use. If accidentally press this key, restart the system.

Note:

It is a normal phenomenon to see bright stripe when power off.

**Due to constant effort to improve products and product features,
specifications may change without notice.**

